

**MST 1-PHASE CONTROL AND ISOLATION TRANSFORMER**

P: 630VA IN:230/400VAC+/-15VAC OUT: 2x115VAC

Single-phase - Control and Isolation Transformers  
630 VA  
Isolation class T 40/B

[Link to Product](#)**Illustration**

Product may differ from Image

**Approvals****Input**

|                       |                                  |
|-----------------------|----------------------------------|
| Input voltage         | 230/400 ±15 V AC                 |
| Frequency             | 50...60 Hz                       |
| Inrush current        | 56 A (230 V AC); 26 A (400 V AC) |
| Short-circuit current | 72 A (230 V AC); 39 A (400 V AC) |
| Input current         | 3 A (230 V AC); 1.7 A (400 V AC) |

**Output**

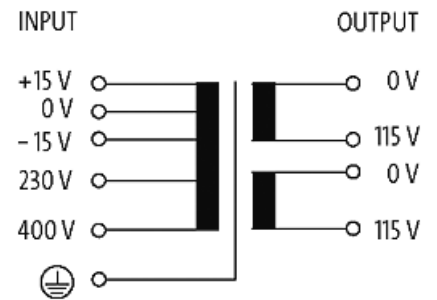
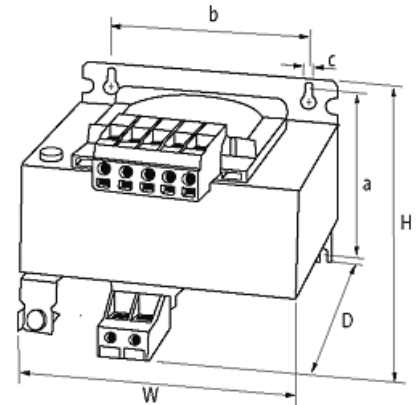
|                |                                |
|----------------|--------------------------------|
| Output voltage | 1 × 230, 1 × 115, 2 × 115 V AC |
| Output rating  | 630 VA                         |

**General data**

|                        |   |
|------------------------|---|
| Standards              | EN 61558-1, EN 61558-2-4, EN 62041 category 0 |
| Test isolation voltage | 5.8 kV (prim./sec.)                           |
| Temperature range      | -20...+40 °C, no condensation                 |
| Dimensions H×W×D       | 112.5×150×146 mm                              |
| Fixing centers a×b×c   | 90.5×122×7 mm                                 |
| Drill hole Ø           | 7×11 mm                                       |
| Mounting method        | Key-hole mounting                             |

**Commercial data**

|                       |               |
|-----------------------|---------------|
| country of origin     | CZ            |
| customs tariff number | 85043180      |
| EAN                   | 4048879366830 |
| eClass                | 27031302      |
| Packaging unit        | 1             |

**Sketch**

Product may differ from Image